

Leaseir MHR Laser System

HIGH POWER DIODE LASER



Leaseir		19/06		19/01/2019	
Auto	1 Hz	31cm ²			
SP	7 Hz	25			
30 ms	3 Hz	23			
100 ms	4 Hz	22			
400 ms	10 Hz	21			
		20			
		19			
		18			
		17			
		16			
		15			
		14			
		13			
		12			
		11			
		10			



Leaseir

www.leaseir.com

Version 2.0 03/12/2019

CE
0476

Single
810nm

Dual
810nm

Quad
810nm

Technology



HIGH POWER DIODE LASER

CE Certified by NB 0476



ABLE TO WORK AT 4HZ AT FULL POWER

Up to 40 J/cm² on automatic mode as well as 30ms, 100ms and 400ms



MAXIMUM AVERAGE ENERGY

Leaseir MHR Laser System is the most productive and effective laser in the market reaching a maximum average energy up to 370 Jules/sec doubling the average technology in the market



HANDPIECE REPLACEABLE BY THE USER

Makes maintenance and spot size changes easier



COOLING SYSTEM

Laser tip with tip temperature near 0 Celsius, superficially numbs the skin. Internal cooling system, which allows treatment at a comfortable room temperature



For all skin types

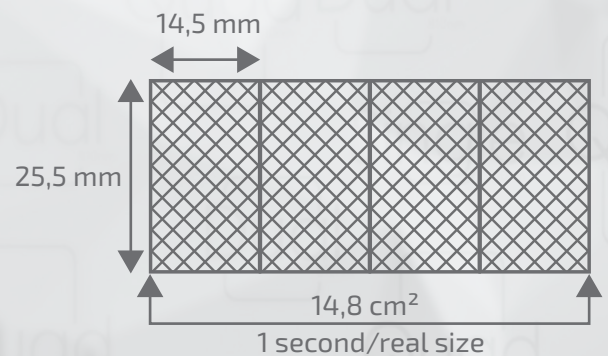
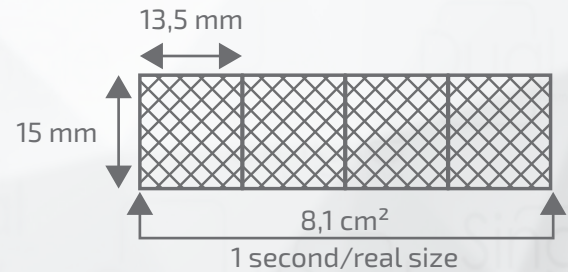
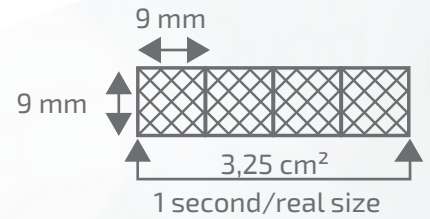


High productivity

4Hz



The highest mean and peak power hair removal platform on the market, able to supply 40 J/cm² at 4Hz on 30ms



The Leaseir MHR Laser System gives great comfort to the user thanks to a practical design based mainly on handpiece ergonomics and a pedal that offers simplicity and is easy to use.

The Leaseir MHR Laser System is able to treat a wide area of body surface at 4Hz, maintaining laser tip temperature around 0°C, with fluencies and application modes recommended in clinical studies.

Through the selective photothermolysis process the specific elimination of the cellular structure is achieved, owing to the thermic level increase induced by the diode laser.

☺ Estimated time to treat legs (5000 cm²)

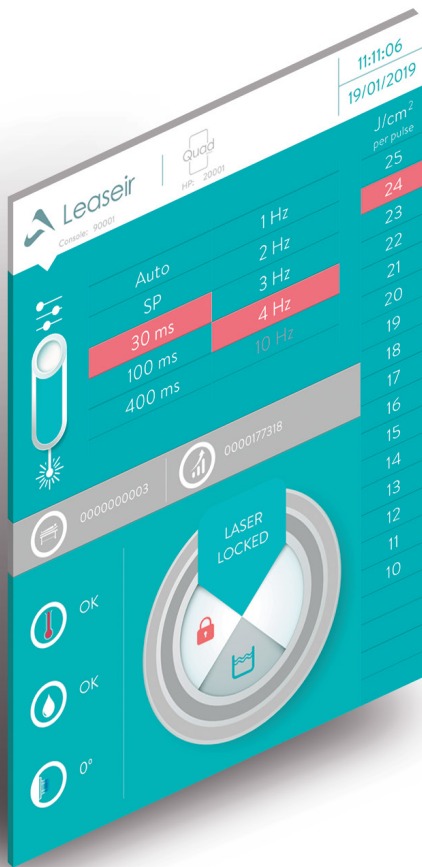
	Single	Dual	Quad
Spot	0,81 cm ²	2 cm ²	3,7 cm ²
Cm ² /s	3,24	8	14,8
Time (s)	1.543	625	338
Time (min)	26	10	6
Total treatment	30-35 min	15-20 min	10-15 min

Intuitive user interface

Increase your working capacity.

The Leaseir MHR Laser System optimizes the user's work procedures through a new more intuitive user interface.

All selected parameters throughout a session can be viewed on just one screen.



Laser practitioners



The Leaseir MHR Laser System offers a quick but thorough treatment. Treatment is painless for the patient, therefore customer satisfaction is gained by the practitioner.

“ We acquired the Leaseir equipment for our clinic because it offers us the highest speed and power in different work modes. I am delighted with the equipment, not only for its performance, but for the result and the efficiency of the hair removal.

It is remarkable to see the reduction in hair density after each session. Moreover, the powerful cooling system is outstanding and makes hair removal painless.

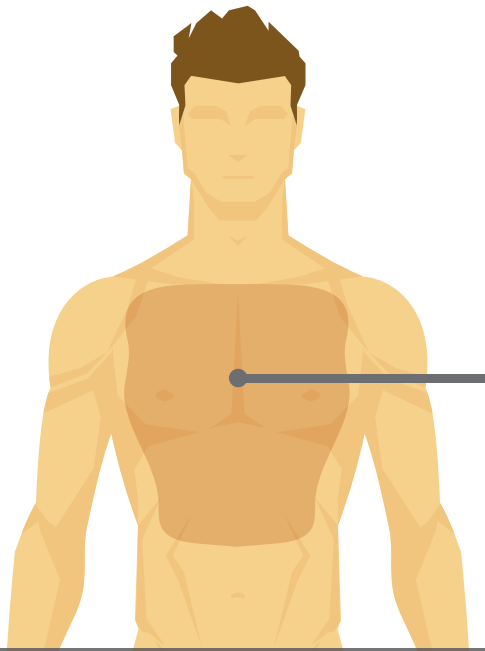
”

DR Heisman Pereira
Manager of Pereira Clinic

Checked Results

Effective hair removal for all skin types and throughout the whole year.

With the Leaseir MHR Laser System, get results from the very first session. The Leaseir MHR Laser System is designed for hair removal on all types of skin, at any time of the year. It also has a laser tip with temperature near 0 Celsius, superficially numbs the skin.



Leaseir MHR Laser System is the most productive and effective laser in the market. Its Auto mode allows you to work with very short and high intensity pulses at 4Hz.

These work modes are optimal from the 3rd/4th session to reduce residual hair. Short pulses, high intensity shots at high speed allow effective hair removal in the last sessions, and this is the main cause of patient satisfaction.

Thanks to our cooling system, the tip and sapphire offer a continuous freezing effect, ensuring a satisfactory treatment.

Before the 1st session- type IV



After the 1st session



After the 2nd session



After the 3rd session



Technical specifications

EQUIPMENT

TIP TEMPERATURE

0° to 3°C

CONSOLE EQUIPMENT

Height 110 cm, Width 45 cm and Deep 57 cm

WEIGHT

50,5 Kg

ENVIRONMENTAL CONDITIONS

15°-25°C / 59-77 F / 0-90% humidity / 54-101.3 KPa

LASER TYPE

4 according to EN60825-1

MDD CLASSIFICATION

IIb | CE Certified (NB 0476)

PLATFORM SPECIFICATIONS

Single

Dual

Quad

REPETITION RATE

1 to 4 Hz and 10 Hz at SP mode

SPOT SIZE

9 X 9 mm

13,5 X 15 mm

14,5 X 25,5 mm

WAVELENGTH

810 nm

MAXIMUM FLUENCE

60 J/cm²

50J/cm²

PULSE WIDTH

1 to 400 ms

2 to 400 ms

OTHER SPECIFICATIONS

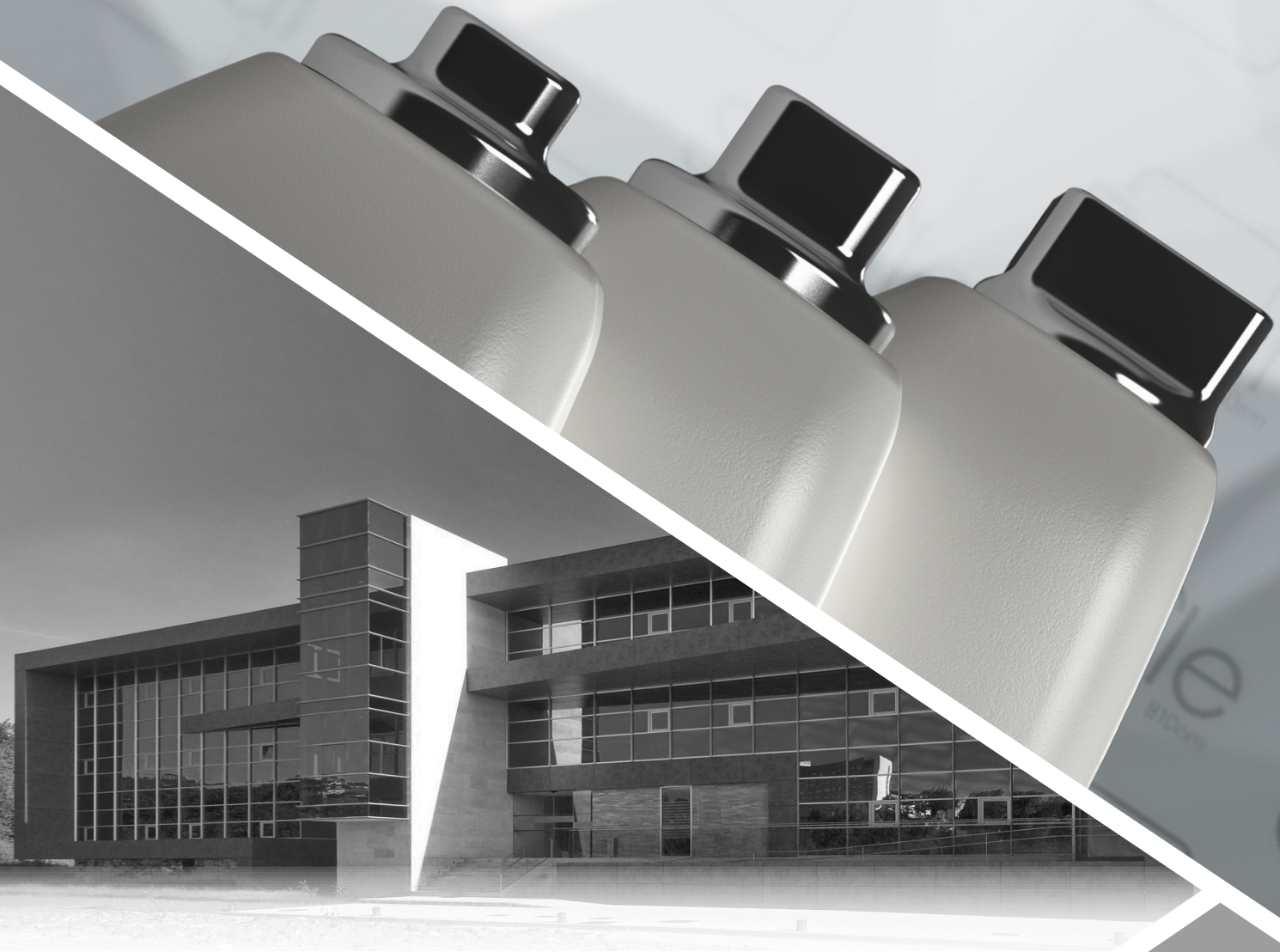
Fully insured Diode with maintenance contract

No operating expenditures: without consumables, tips, fibers or cryogenic gas

Own technical support

Designed and manufactured in Spain

THE MOST ADVANCED DIODE LASER
TECHNOLOGY AT MAXIMUM POWER



In **Leaseir Technologies** we have been at the forefront of laser diode technology for over 18 years. We are committed with the clinics and practices to deliver them a platform that gives them the ability to get the results that the patients demand.

Our main aim is to offer quality products, and for that reason our platform excels the standards of the required medical trails for devices in their categories.



Leaseir

CONTACT INFORMATION

HEAD OFFICES

C/ Jimena Fernandez de la Vega, 140
33203 Gijón (Asturias) - SPAIN

+34 984 390 934

info-technologies@leaseir.com

